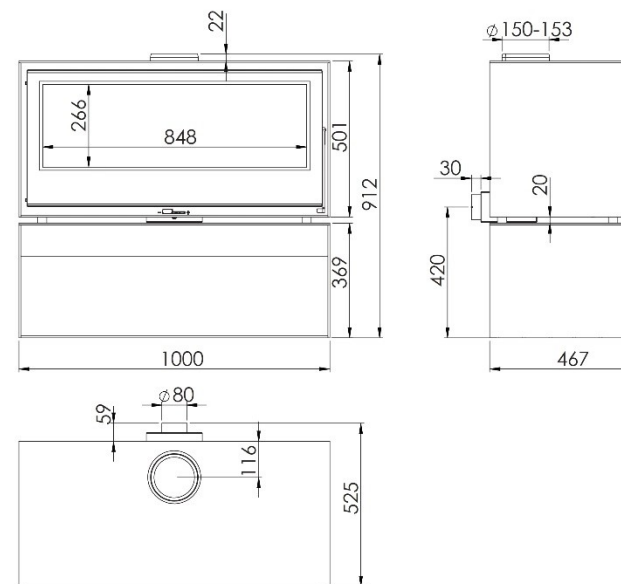




EBANO EcoDesign



EAN 8426964230154
REF 23015



MEASURES

DIMENSIONS H x W x D **912x1000x525 mm**

GROSS WEIGHT **263 kg**

FIREWOOD ENTRANCE **848x266 mm**

SMOKE FLUE **Ø 150-153 mm**
Vertical

Minimum distance to combustible materials:
Side **20 cm** - Rear wall **10 cm** - Front **100 cm**

CHARACTERISTICS

CAST IRON GRILL

PANORAMIC VISION

NOMINAL HEAT OUTPUT **8,9 KW**

EFFICIENCY **80,8 %**

CO EMISSIONS **0,10 %**

HEAT RESISTANT PAINT **800°C**

CERAMIC GLASS HEAT RESISTANCE **750°C**



EXTERNAL AIR INTAKE



DOUBLE STEEL BODY SHEET
6 + 3 MM



HEATING VOLUME



VERMICULITE LINING



PRINTED GLASS



WOOD LOGS UP TO 80 CM



CLEAN GLASS SYSTEM



TRIPLE COMBUSTION



A+

