

# QUERCUS EcoDesign

# KUNST



## MEASURES

DIMENSIONS HxWxD	594x835x552 mm
GROSS/NET WEIGHT	177 kg
FIREWOOD ENTRANCE	620x325 mm
SMOKE FLUE	Ø 150-153 mm Top
MINIMUM COMBUSTIBLE DISTANCE:	
Side	40 cm
Rear	10 cm
Front	110 cm

## CHARACTERISTICS

CAST IRON GRILL	
NOMINAL HEAT OUTPUT	7 KW
EFFICIENCY	80,7 %
CO EMISSIONS	0,10 %
HEAT REISTANT PAINT	800°C
CERAMIC GLASS HEAT RESISTANCE	750°C

EAN 8426964230208  
REF. KUNST 23020

## PRODUCT PLUS

### ECODESIGN



EXTERNAL AIR  
INTAKE



DOUBLE STEEL BODY  
SHEET 6 + 3 MM



VERMICULITE LINING



PRINTED GLASS



WOOD LOGS UP TO 60 CM



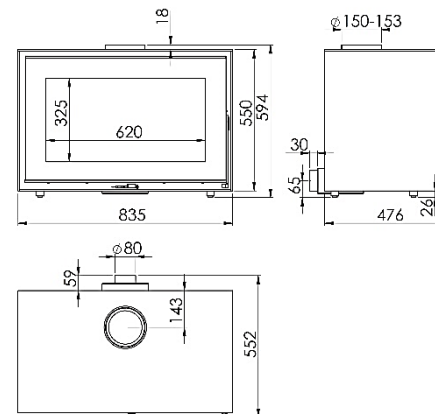
HEATING VOLUME



CLEAN GLASS SYSTEM



TRIPLE COMBUSTION



Art. 15a B-VG **BImSchV2**



QUERCUS EN