

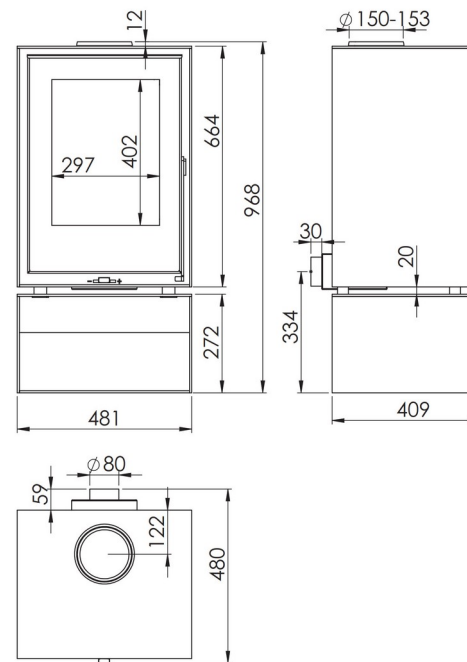


FICUS EN

FICUS STORE EcoDesign



EAN 8426964230604
REF. KUNST 23060



MEASURES

DIMENSIONS H x W x D	968x481x480 mm
GROSS WEIGHT	147 kg
FIREWOOD ENTRANCE	297x402 mm
SMOKE FLUE	Ø 150-153 mm Vertical
Minimum distance to combustible materials:	
Side	40 cm
Rear wall	10 cm
Front	100 cm

CHARACTERISTICS

CAST IRON GRILL	
NOMINAL HEAT OUTPUT	7,5 KW
EFFICIENCY	80,7 %
CO EMISSIONS	0,10 %
HEAT REISTANT PAINT	800°C
CERAMIC GLASS HEAT RESISTANCE	750°C



EXTERNAL AIR INTAKE



DOUBLE STEEL BODY SHEET 6 + 3 MM



VERMICULITE LINING



PRINTED GLASSS



WOOD LOGS UP TO 40 CM



230 m³ HEATING VOLUME



CLEAN GLASS SISTEM



TRIPLE COMBUSTION



A+

