

# FICUS EcoDesign

# KUNST



## MEASURES

DIMENSIONS H x W x D	<b>702x481x480 mm</b>
GROSS WEIGHT	<b>137 kg</b>
FIREWOOD ENTRANCE	<b>397x402 mm</b>
SMOKE FLUE	<b>Ø 150-153 mm Top</b>

Minimum distance to combustible materials:  
Side **40 cm** - Rear wall **10 cm** - Front **100 cm**

## CHARACTERISTICS

CAST IRON GRILL	
NOMINAL HEAT OUTPUT	<b>7,5 KW</b>
EFFICIENCY	<b>80,7 %</b>
CO EMISSIONS	<b>0,10 %</b>
HEAT REISTANT PAINT	<b>800°C</b>
CERAMIC GLASS HEAT RESISTANCE	<b>750°C</b>

EAN 8426964230628  
REF. KUNST 23062

## ECODESIGN



**EXTERNAL AIR INTAKE**



**DOUBLE STEEL BODY SHEET**  
6 + 3 MM



**VERMICULITE LINING**



**PRINTED GLASS**



**WOOD LOGS UP TO**  
40 CM



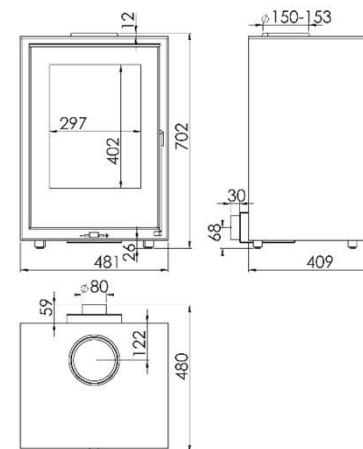
**230**  
m<sup>3</sup> **HEATING VOLUME**



**CLEAN GLASS SYSTEM**



**TRIPLE COMBUSTION**



FICUS EN



Art. 15a B-VG **BImSchV2**



flamme  
VERTE

Le label  
du chauffage  
au bois

**7 ★**