

# INSERT I-70

## EcoDesign

**KUNST**



### MEASURES

DIMENSIONS H x W x D	<b>570x753x494 mm</b>
GROSS WEIGHT	<b>105 kg</b>
FIREWOOD ENTRANCE	<b>570x300 mm</b>
SMOKE FLUE	<b>Ø 150-153 mm Top</b>

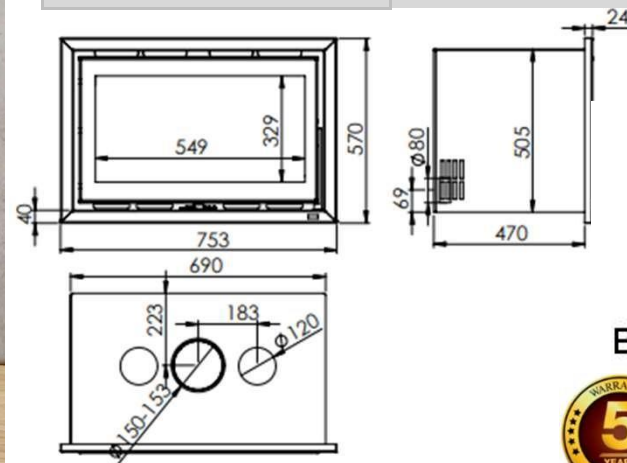
Minimum distance to combustible materials:

Side **80 cm** - Rear wall **80 cm** - Front **80 cm**

### CHARACTERISTICS

CAST IRON GRILL	
NOMINAL HEAT OUTPUT	<b>7,2 KW</b>
EFFICIENCY	<b>90,4 %</b>
CO EMISSIONS	<b>0,10 %</b>
HEAT RESISTANT PAINT	<b>800°C</b>
CERAMIC GLASS HEAT RESISTANCE	<b>750°C</b>

EAN 8426964230758  
REF. KUNST 23075



### ECODESIGN



**EXTERNAL AIR INTAKE**



DOUBLE STEEL BODY SHEET  
4 + 3 MM



VERMICULITE LINING



PRINTED GLASS



WOOD LOGS UP TO  
50 CM



**210**  
m<sup>3</sup>

HEATING VOLUME



CLEAN GLASS SYSTEM



TRIPLE COMBUSTION



TANGENTIAL FAN



AIR DUCTING



- I - FAN SPEED AT 50%  
ACTIVE AT TEMPERATURE > 48-50°C
- O - FAN OFF
- II - FAN SPEED AT 100% ALWAYS ON



CE



BImSchV2

Art. 15a B-VG

