

QUERCUS STORE EcoDesign

KUNST



MEASURES

DIMENSIONS H x W x D	878x835x552 mm
GROSS WEIGHT	232 kg
FIREWOOD ENTRANCE	620x325 mm
SMOKE FLUE	Ø 150-153 mm Top

Minimum distance to combustible materials:
Side **30 cm** - Rear wall **10 cm** - Front **120 cm**

CHARACTERISTICS

CAST IRON GRILL	
NOMINAL HEAT OUTPUT	7,2 KW
EFFICIENCY	78,9 %
CO EMISSIONS	0,10 %
HEAT RESISTANT PAINT	800°C
CERAMIC GLASS HEAT RESISTANCE	750°C

EAN 8464230215
REF. KUNST 23021

ECODESIGN



EXTERNAL AIR INTAKE



DOUBLE STEEL BODY SHEET
6 + 3 MM



VERMICULITE LINING



PRINTED GLASS



WOOD LOGS UP TO
60 CM



220
m³ HEATING VOLUME



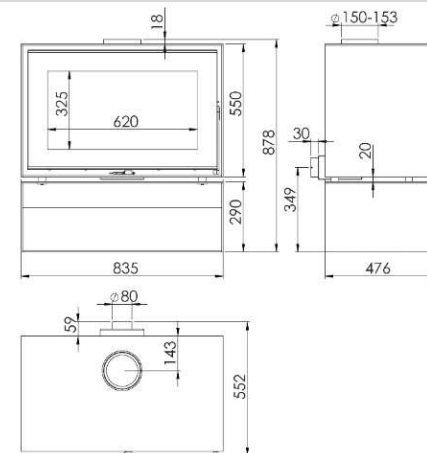
CLEAN GLASS SYSTEM



TRIPLE COMBUSTION



WOOD LOG STORAGE



QUERCUS EN



BImSchV2



flamme
VERTE Le label
du chauffage
au bois **7 ★**