

SEQUOIA EcoDesign

KUNST



MEASURES

DIMENSIONS H x W x D	911x639x508 mm
GROSS WEIGHT	200 kg
FIREWOOD ENTRANCE	431x620 mm
SMOKE FLUE	Ø 150-153 mm Top

Minimum distance to combustible materials:

Side **50 cm** - Rear wall **50 cm** - Front **70 cm**

CHARACTERISTICS

CAST IRON GRILL	
NOMINAL HEAT OUTPUT	8,7 KW
EFFICIENCY	77 %
CO EMISSIONS	0,10 %
HEAT RESISTANT PAINT	800°C
CERAMIC GLASS HEAT RESISTANCE	750°C

EAN 8426964230420
REF. KUNST 23042

ECODESIGN



EXTERNAL AIR INTAKE



DOUBLE STEEL BODY SHEET
6 + 3 MM



VERMICULITE LINING



WOOD LOGS UP TO
50 CM



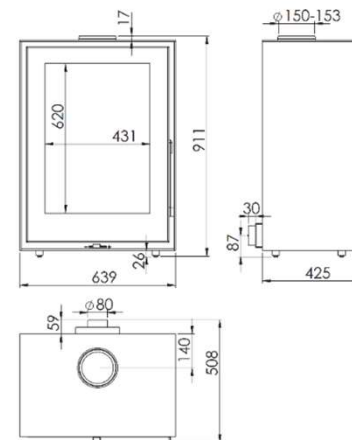
260
m³ **HEATING VOLUME**



CLEAN GLASS SYSTEM



TRIPLE COMBUSTION



SEQUOIA EN



BImSchV2

