

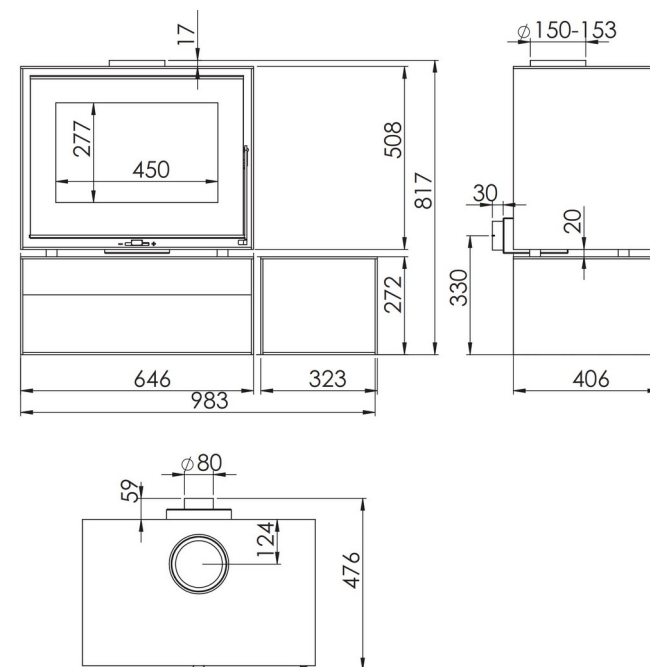


WENGUE FN

WENGUE ASYMMETRIC STORE EcoDesign



EAN 8426964230321
REF. KUNST 23032



MEASURES

DIMENSIONS H x W x D	817x983x476 mm
GROSS WEIGHT	158 kg
FIREWOOD ENTRANCE	450x277 mm
SMOKE FLUE	Ø 150-153 mm
	Vertical
Minimum distance to combustible materials:	
Side 30 cm - Rear wall 10 cm - Front -100 cm	

CHARACTERISTICS

CAST IRON GRILL	
NOMINAL HEAT OUTPUT	5,8 KW
EFFICIENCY	80,7 %
CO EMISSIONS	0,10 %
HEAT RESISTANT PAINT	800°C
CERAMIC GLASS HEAT RESISTANCE	750°C



EXTERNAL AIR INTAKE



DOUBLE STEEL BODY SHEET 6 + 3 MM



VERMICULITE LINING



PRINTED GLASS



WOOD LOGS UP TO 50 CM



170 m³ HEATING VOLUME



CLEAN GLASS SYSTEM



TRIPLE COMBUSTION



A+

